



vispronet®

LED POSTER FRAME



- Extra-flat illuminated frame for indoor use
- Brilliant motif illumination using the latest LED technology
- Free standing or wall mounting possible
- Very simple change of print – poster is simply inserted inside
- Can be displayed in portrait or landscape format

INFORM
CREATE
ORDER

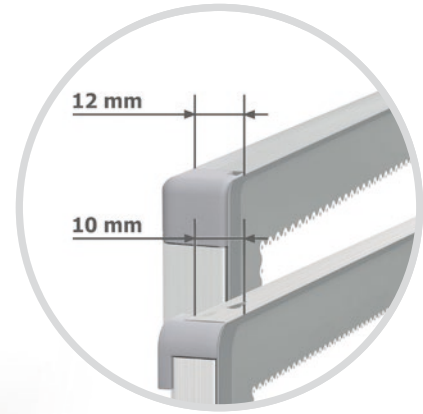
vispro®
■ ■ ■ design



LED POSTER FRAME



vispronet®



System	Size A1 ¹⁾	Size A2	Size A3	Size A4
	<ul style="list-style-type: none"> · Frame size: 90.0 x 60.0 cm (W x H) · Frame thickness: 12 mm 	<ul style="list-style-type: none"> · Frame size: 60.0 x 43.5 cm (W x H) · Frame thickness: 10 mm 	<ul style="list-style-type: none"> · Frame size: 42.7 x 31.1 cm (W x H) · Frame thickness: 10 mm 	<ul style="list-style-type: none"> · Frame size: 30.4 x 22.5 cm (W x H) · Frame thickness: 10 mm
	<ul style="list-style-type: none"> · Light, very stable frame made of coated aluminum, front made of hardened glass for scratch resistance and a crystal-clear look · Frame colour: silver or black · LED technology with a long service life, light intensity: 1,300 lumens, light colour: cool white 			
Print	<ul style="list-style-type: none"> · 89.5 x 59.0 cm (W x H) 	<ul style="list-style-type: none"> · 59.4 x 42.0 cm (W x H) 	<ul style="list-style-type: none"> · 42.0 x 29.7 cm (W x H) 	<ul style="list-style-type: none"> · 29.7 x 21.0 cm (W x H)
	<p>Material:</p> <ul style="list-style-type: none"> · Backlit film 220, white <p>Finish:</p> <ul style="list-style-type: none"> · Printed on one side, cut all around <p>Print options:</p> <ul style="list-style-type: none"> · (a) Double print (motif printed twice, application of 2 layers of colour), intensive, oversaturated colours, therefore slight colour deviations possible · (b) 3-layer print (day-and-night print effect, application of 3 layers of colour), brilliant and particularly intensive colours in illuminated and non-illuminated state 			
Delivery content	<ul style="list-style-type: none"> · Pre-assembled illuminated frame, wall bracket with screws for attachment to the frame, feet (except size A1), power supply unit, power connection cable (length approx. 180 cm) 			

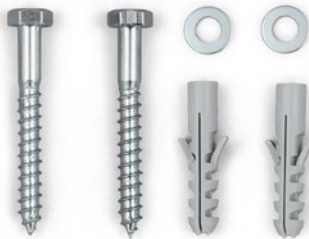
All sizes are approximate. As we are constantly developing our products we reserve the right of changing technical issues and dimensional deviations.

ACCESSORIES



Nylon cord 100 m/spool

- For flexible attachment of LED poster frames
- Monofilament polyamide (nylon cord), natural colour, \varnothing 0.5 mm
- Linear pulling force 10 kg
- Length 100 m, delivered on a roll



Screw dowel set 3 x 30 mm

- For individual wall mounting of LED poster frames
- Set: 4 screws 3 x 30 mm and 4 dowels S5



Special gloves

- Set: 2 pairs of special cotton gloves
- For handling of sensitive print products
- Lint free and washable
- Size: L

NOTICE

- 1) In contrast to other sizes, size A1 can only be hung on the wall and therefore has a different delivery content.